



MTI | Podiatry and Wound Care Specialty Products



U.S. & Canada 800-924-4655 | International 801-887-5114

MTI 527P/S

Tri-Power Podiatry/Wound Care Chair (Lift/Back/Tilt)



Provide a safe and comfortable examination/treatment platform with the new MTI 527 Podiatry/Wound Care Chairs.

With a low entry height of 19" (48.3 cm), the 527 makes it easy and safe for your patients to enter and exit the chair, even from a wheel chair. An almost 20" (50.8 cm) vertical rise brings your patients up to the highest operating heights. The ultra comfort 24.5" (62.2 cm) wide seat and 25" (63.5 cm) wide foot section makes it one of the widest chairs on the market today, and is capable of lifting up to 650 lb (295 kg) patients.

Slide-back Removable Floating Arms™* lock in the entry/exit positions and provide security for you and your patients. The under-arm locking tab makes it easy to slide the arm back to provide a hand-hold surface for a secure and easy ingress and egress.

The 527 is available in two models; the 527P Programmable model offers two user programmable positions and an auto return function, while the 527S non-programmable model is standard with MTI's semi-auto "position switch," plus an auto return function. A hand control or foot control can be had in lieu of each other or optionally, together.

*Patented and Patent Pending



Footrest extension adjustment with dual locks are located on both sides at the end of the footrest. Both the stainless steel debris tray and footrest extend 12" (30.5 cm) using KTL Cataphoresis coated slides and each support up to 200 lbs. individually extended



With a minimum entry height of 19" (48.3 cm) and an extended height of 38.5" (97.8 cm), the 527's afford easy entry for elderly or disabled patients, while providing extended heights for even the tallest of operators



From upright to reclined, the MTI 527's can do it all



Maximum lifting capacity
650 lbs (295 kg)



The one-handed operation of the locking slide back arm, provides a safe and steady rest for patient ingress/egress

MTI 527W

Tri-Power Bariatric Podiatry/Wound Care Chair (Lift/Back/Tilt)



Help maintain your bariatric patients' dignity and provide a safe and comfortable examination/treatment platform with the new

MTI 527W Bariatric Podiatry/Wound Care Chairs.

With a low entry height of 19" (48.3 cm), the 527W makes it easy and safe for your largest patients to enter and exit the chair, even from a wheel chair. An almost 20" (50.8 cm) vertical rise brings your patients up to the highest operating heights. The ultra comfort 30" (76.2 cm) wide seat and 31" (78.7 cm) wide foot section makes it one of the widest bariatric chairs on the market today, and is capable of lifting 800 lb (363 kg) patients.

Slide-back Removable Floating Arms™ lock in the entry/exit positions and provide security for you and your patients. The under-arm locking tab makes it easy to slide the arm back to provide a hand-hold surface for a secure and easy ingress and egress.

The 527W is available in two models; the 527WP Programmable model offers two user programmable positions and an auto return function, while the 527WS non-programmable model is standard with MTI's semi-auto "position switch," plus an auto return function. A hand control or foot control can be had in lieu of each other or optionally, together.

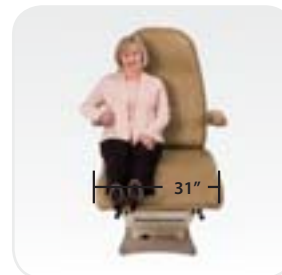
*Patented and Patent Pending



Footrest extension adjustment with dual locks are located on both sides at the end of the footrest. Both the stainless steel debris tray and footrest extend 12" (30.5 cm) using KTL Cataphoresis coated slides and each support up to 200 lbs. individually extended



With a minimum entry height of 19" (48.3 cm), an extended height of 38.5" (97.8 cm), and a width of 31" (78.7 cm), the 527W's afford easy entry for elderly and disabled patients, while providing extended heights for even the tallest of operators



Maximum lifting capacity 800 lbs (363 kg)



The one-handed operation of the locking slide back arm, provides a safe and steady rest for patient ingress/egress

MTI 526

Pedestal Base Dual-Power Podiatry/Wound Care Chair (Back/Tilt)



Provide a safe and comfortable examination/ treatment platform with the new **MTI 526 Podiatry/Wound Care Chairs.**

The dual-power MTI 526 model is perfect for those podiatrists who sit rather than stand or who desire an economical alternative to the power base models. Standard features are the same as the 527 models except for the power base.

With a low entry height of 19" (48.3 cm), the non-power base 526 makes it easy and safe for your patients to enter and exit the chair, even from a wheel chair. The ultra comfort 24.5" (62.2 cm) wide seat and 25" (63.5 cm) wide foot section makes it one of the widest chairs on the market today. Height of the footrest at maximum tilt is 36" (91.4 cm).

Slide-back Removable Floating Arms™* lock in the entry/exit positions and provide security for you and your patients. The under-arm locking tab makes it easy to slide the arm back to provide a hand-hold surface for a secure and easy ingress and egress.

A hand control with four user programmable positions or a foot control with auto return can be had in lieu of each other or optionally, together.

*Patented and Patent Pending



Footrest extension adjustment with dual locks are located on both sides at the end of the footrest. Both the stainless steel debris tray and footrest extend 12" (30.5 cm) using KTL Cataphoresis coated slides and each support up to 200 lbs. individually extended



The one-handed operation of the locking slide back arm, provides a safe and steady rest for patient ingress/egress



The power tilt provides up to 30° of tilt and elevates the footrest up to 36" (91.4 cm) from the floor

MTI 530

Quad-Power Podiatry/Wound Care Table (Lift/Back/Tilt/Foot)



Provide a safe and comfortable examination/ treatment platform with the **MTI 530 Podiatry/Wound Care Table.**

With the MTI 530 Quad-Power Table, your patients can get comfortable with a full 24" (61 cm) width and an articulating power footrest, making it easy and safe for your largest patients to enter and exit the chair, even from a wheel chair. Four user-programmable positions assure rapid movement to often used positions.

The 530 has a seating surface which goes all the way down to 21.5" (54.6 cm). A 16" (40.6 cm) vertical rise brings your patients up to the right operating heights, and the 530 is capable of lifting up to 650 lb (295 kg) patients.

Slide-back Removable Floating Arms™ lock in the entry/exit positions and provide security for you and your patients. The under-arm locking tab makes it easy to slide the arm back to provide a hand-hold surface for a secure and easy ingress and egress.

The headrest can be extended 6" (15.2 cm) and can be removed. Optional headrests available for other specialties.

*Patented and Patent Pending



The stainless steel debris tray extends a full 12" (30.5 cm) using KTL Cataphoresis coated slides and is equipped with an electrical lock-out to preclude damage from accidental actuation of the foot rest with the tray extended (Footrest does not extend)



Positions from upright to contour, flat, and Trendelenburg are easily attained with the power lift, back, tilt, and foot functions of the MTI 530 Podiatry/Wound Care Table



Square backrest available on the S530 Table (Shown with optional articulating trapezoidal headrest)



Maximum lifting capacity 650 lbs (295 kg)



The one-handed operation of the locking slide back arm, provides a safe and steady rest for patient ingress/egress

Accessories

Removable Leg Wrapping Support (RLWS)*



Foot/Heel wrapping position



Leg wrapping position

Avoid healthcare professional injury by using MTI's patent pending leg wrapping support.

The patent pending leg wrapping support is a dual function support providing a calf support for wrapping the foot/heel and a heel support for wrapping the rest of the leg.

The removable leg wrapping support is made from aluminum for a light-weight yet very strong support and is non-porous coated for ease in cleaning and disinfecting.

The support can easily be moved to either the patient's left or right hand side of the foot section for ease of wrapping either leg or heel.

*Patent Pending

Swing Up/Down Bed Rails (SUDBR-1/SUDBR-2)*



Swing Up/Down Bed Rail (SUDBR-1) used without arms



Swing Up/Down Bed Rail (SUDBR-2) used in conjunction with arms

Improve the safety of your patients by using one of MTI's bed rail systems.

Swing the bed rails up for safer patient transport or security during a procedure. Swing the bed rails down for patient ingress and egress. The bed rails are also easily removed from the chair by pressing a button.

Swing Up/Down Bed Rails plugs into the patented Floating Arm™ system. This patented system allows the arms and/or bed rails to move with the back of the chair, eliminating the need for continual readjustment of the arm or the patient.

*Patented and Patent Pending

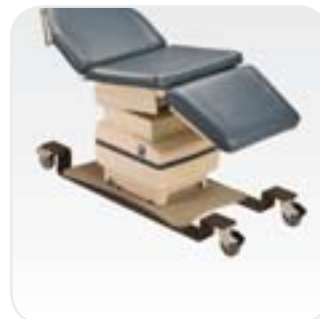
Mobile Base Options (Not available with swivel base)



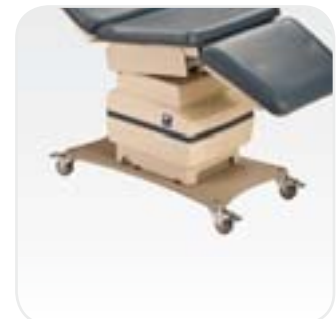
LBMCB Low-boy Mobile Caster Base (adds 1/2" to height. Max width increases to 30.75") (530 table only)



CMB Mobile Base with Caster Jacks to lift wheels off the floor (adds 5.5" to height) (not available on 527W)



MCC Mobile Caster Cart (adds 1.5" to height)



LC-4 Mobile Base (adds 3 3/4" to height) (not available on 527W)

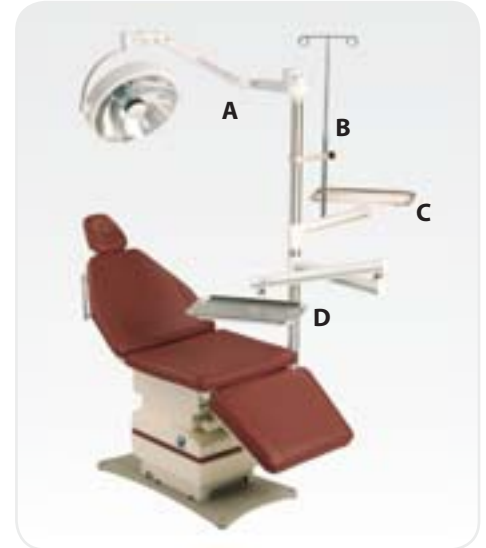
Accessories

1" and 2" Post Accessories



Popular MTI Accessories for
MTI 500 Series Chairs
(Specify for which model
of chair)

- A** Exam Light
- B** Chair Mounted Vision Block
- C** Post Mounted Mayo Tray
- D** Shoe Tray
- E** Corded Remote Hand Control
- F** Foot Control
- G** Adjustable IV Pole



A: Post-mounted Light; B: Adjustable IV Pole;
C: Patient Monitor Tray; D: Flexible Mayo Tray

Chair Accessories



340-degree swivel base (527
and 530 only)



Paper Roll



2" Leveling Glides (other
heights available)



Duplex outlet (530 only available
on patient's left hand side)

Accessories

Chair Accessories Continued



Body Restraint Strap



BMR Base Mounting Rail,
Hospital Standard Size



Memory foam

Headrest Options 530 Table Only



AH401-1 Oval Articulating
(9" h x 8" w)



AH405-1 Deep Oval Articulating
(9" h x 8" w)



AH404-1 Rectangular
Articulating (8" h x 12" w)



PH402-1L Prosthetic Articulating
(4" h x 8" w)



AH408-1 Horseshoe Shaped
Articulating (10" h x 10.5" w)



AH407-1 Trapezoid Articulating
(8" h x 18" w tapering to 16.5" w)
(requires square back S530 Table)

Accessories

Table Options 530 Table Only



BSR-430-1 Base Rail, Hospital Standard Size



SR-430 Seat Rails, Hospital Standard Size



Seat rail mounted stirrups (requires seat rails)



BR-430 Back Rails, Hospital Standard Size



Dual back-mounted membrane switches (not available with back rails)

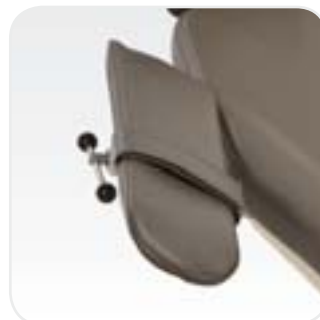
Arm Options 530 Table Only (some options require seat or back rails)



4-way Patient Arm



8" x 21" 8-way Hand/ Forearm Procedure Table



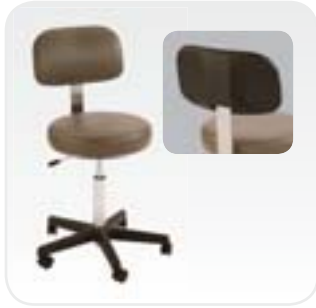
MP401 24" Standard 8-way IV Arm



HAST 12" x 36" 8-way Hand Arm Surgery Table with removable telescoping stabilizer leg

Additional Products

Physician/Assistant Seating



MTI's SG 5-caster stool with two way adjustable ergonomic back support provides a comfortable seat and adds elegance to any exam room. Available in two operating heights:

High Model
21.5" – 28.75" (54.6 cm – 73 cm)

Low Model
17.5" – 22.5" (44.5 cm – 57.2 cm)

Many seating chairs and options are available. Please see MTI Physician/Assistant Seating brochure.

DV-1 Dust Vac™



The free standing DV-1 Dust Vac™ uses a high volume vacuum motor and a large diameter hose and tip for up to 40% greater air flows at the drill tip. This large volume of "directed" vacuum can remove more dust particles than other systems and can eliminate particles down to .1 micron when equipped with an optional filter bag and disk. (6" wide x 8" deep x 13" high) See MTI Dust Vac™ brochure for more details.

Mobile Treatment Cabinets

European drawers and slides along with rounded edges and European style 3 mm edge banded drawers give a pleasing appearance to your treatment room.

- Choice of standard 21" deep or slim line 18" deep models*
- Wilsonart Crystal color countertop, backwall, cabinet body, sides, and doors and drawers
- Resilient countertop edge guard
- Four hard rubber casters
- European drawer construction and hinge hardware for wider door opening
- 4" backwall
- Other options available such as lift up shelf, recessed dirty instrument trays, drawer locks, and more

*MTCDV-2 is only available in the standard 21" deep model.



Optional 3 and 4 cavity plastic molded drawer inserts available.



The MTC-1 is a 33.5" high and 24" wide mobile treatment cabinet with five drawers and a 4" backplash



The MTC-A is a 33.5" high and 24" wide mobile treatment cabinet with three drawers, two doors and a 4" backplash



The MTC-B is a 41" high and 24" wide mobile treatment cabinet with four drawers, two doors and a 4" backplash



The MTCDV-2 is a 33.5" high and 24" wide mobile treatment cabinet with MTI's Dust Vac™ built into the five-drawer cabinet. The vacuum can be equipped with adaptors to fit most of today's popular drills

Specifications

527* Specifications:

Maximum lifting capacity:	650 lbs (295 kg)
Minimum seat height:	19" (48.3 cm)
Maximum seat height:	38.7" (98.3 cm)
Max. vertical elevation:	19.7" (50 cm)
Maximum Trendelenburg:	30°
Foot Section:	25" wide x 18.5" long (63.5 cm x 47 cm)
Seat Section:	24.5" wide x 21.5" long (62.2 cm x 54.6 cm)
Back Section:	23" wide x 33" long (58.4 cm to 83.8 cm)
Stainless Steel Debris Tray:	10" x 14.5" x 2.5" (25.4 cm x 36.8 cm x 6.4 cm)
Electrical:	115/60, 4.3 amps 230/50, 2.15 amps
Chair shipping weight†:	408 lbs (185 kg)
Chair shipping size†:	76" x 34" x 28" (193 cm x 86.4 cm x 71 cm)
Upholstery Kit shipping weight:	29 lbs (13 kg)
Upholstery kit shipping size:	27" x 9" x 43" (68.6 cm x 22.7 cm x 109.2 cm)

*Listed to UL 60601-1 Part 1, CAN/CSA C22.2 No. 601-1 M90 Part 1, European GENELEC EN 60601-1 Safety Standards for Medical Electrical Equipment Part 1, and IEC60601-1-2 (2001-09)-Part 1-2.

527W* Specifications:

Maximum lifting capacity:	800 lbs (363 kg)
Minimum seat height:	19" (48.3 cm)
Maximum seat height:	38.7" (98.3 cm)
Max. vertical elevation:	19.7" (50 cm)
Maximum Trendelenburg:	30°
Foot Section:	31" wide x 18.75" long (78.7 cm x 47.6 cm)
Seat Section:	30" wide x 21.5" long (76.2 cm x 54.6 cm)
Back Section:	27" wide x 34" long (68.6 cm to 86.4 cm)
Stainless Steel Debris Tray:	10" x 14.5" x 2.5" (25.4 cm x 36.8 cm x 6.4 cm)
Electrical:	115/60, 4.3 amps 230/50, 2.15 amps
Chair shipping weight†:	429 lbs (195 kg)
Chair shipping size†:	76" x 34" x 28" (193 cm x 86.4 cm x 71 cm)
Upholstery Kit shipping weight:	34 lbs (15 kg)
Upholstery kit shipping size:	32" x 10" x 43" (81.3 cm x 25.4 cm x 109.2 cm)

*Listed to UL 60601-1 Part 1, CAN/CSA C22.2 No. 601-1 M90 Part 1, European GENELEC EN 60601-1 Safety Standards for Medical Electrical Equipment Part 1, and IEC60601-1-2 (2001-09)-Part 1-2.

Patent No. 7,862,123

†International weights and dimensions may vary.

526* Specifications:

Minimum seat height:	19" (48.3 cm)
Maximum Trendelenburg:	30°
Max. height at footrest w/max. tilt:	36" (91.4 cm)
Foot Section:	25" wide x 18.5" long (63.5 cm x 47 cm)
Seat Section:	24.5" wide x 21.5" long (62.2 cm x 54.6 cm)
Back Section:	23" wide x 33" long (58.4 cm to 83.8 cm)
Max. height at footrest w/max. tilt:	36" (91.4 cm)
Stainless Steel Debris Tray:	10" x 14.5" x 2.5" (25.4 cm x 36.8 cm x 6.4 cm)
Electrical:	115/60, 2 amps 230/50, 1 amp
Chair shipping weight†:	373 lbs (169 kg)
Chair shipping size†:	76" x 34" x 28" (193 cm x 86.4 cm x 71 cm)
Upholstery Kit shipping weight:	29 lbs (13 kg)
Upholstery kit shipping size:	27" x 9" x 43" (68.6 cm x 22.7 cm x 109.2 cm)

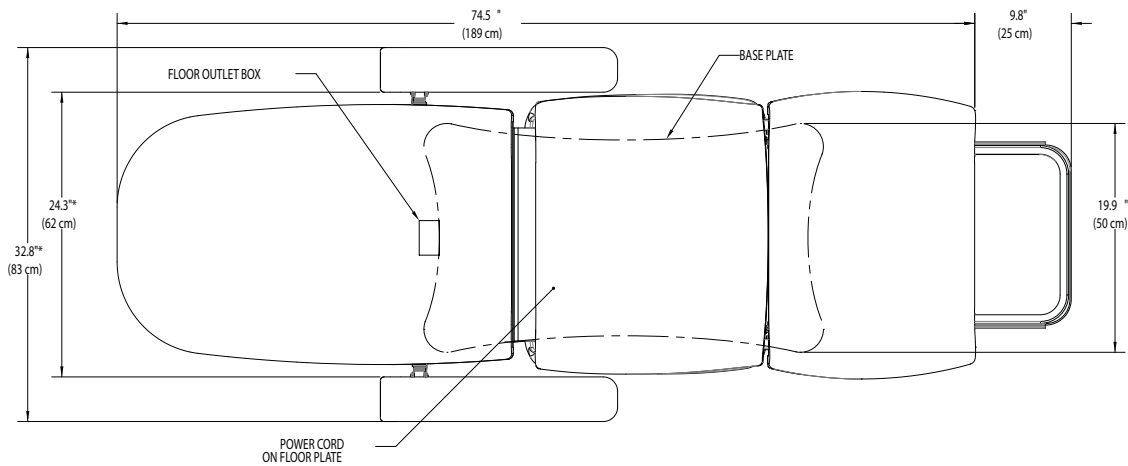
*Listed to UL 60601-1 Part 1, CAN/CSA C22.2 No. 601-1 M90 Part 1, European GENELEC EN 60601-1 Safety Standards for Medical Electrical Equipment Part 1, and IEC60601-1-2 (2001-09)-Part 1-2.

530* Specifications:

Maximum lifting capacity:	650 lbs (295 kg)
Minimum seat height:	21.5" (54.6 cm)
Maximum seat height:	37.5" (95.3 cm)
Max. vertical elevation:	16" (40.6 cm)
Maximum Trendelenburg:	30°
Foot Section:	24" – 17" wide x 17" deep (61 – 43.2 cm x 43.2 cm)
Seat Section:	24" wide x 20.5" deep (61 cm x 52.1 cm)
Back Section:	24" – 11" wide x 22" long (61 – 27.9 cm x 55.9 cm)
Stainless Steel Debris Tray:	10" x 14.5" x 2.5" (25.4 cm x 36.8 cm x 6.4 cm)
Electrical:	115/60, 5.3 amps 230/50, 2.65 amps
Chair shipping weight†:	409 lbs (185 kg)
Chair shipping size†:	44" x 33" x 43" (111.8 cm x 83.8 cm x 109.2 cm)
Upholstery Kit shipping weight:	29 lbs (13 kg)
Upholstery kit shipping size:	24" x 24" x 17" (61 cm x 61 cm x 43.2 cm)

*Listed to UL 60601-1 Part 1, CAN/CSA C22.2 No. 601-1 M90 Part 1, European GENELEC EN 60601-1 Safety Standards for Medical Electrical Equipment Part 1, and IEC60601-1-2 (2001-09)-Part 1-2.

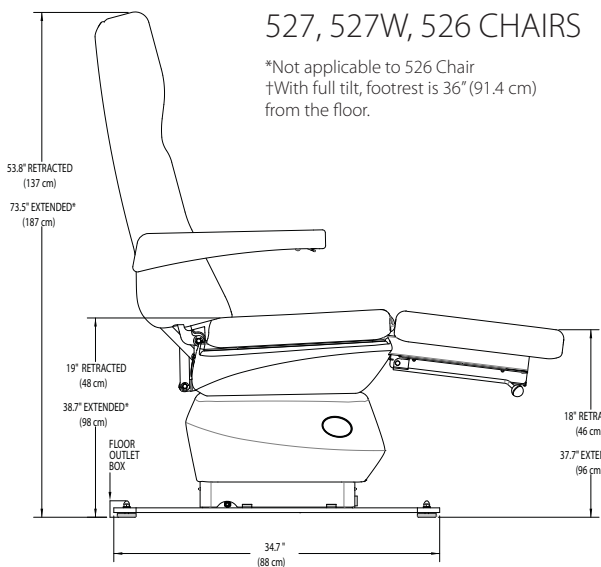
Drawings



527, 527W, 526 CHAIRS

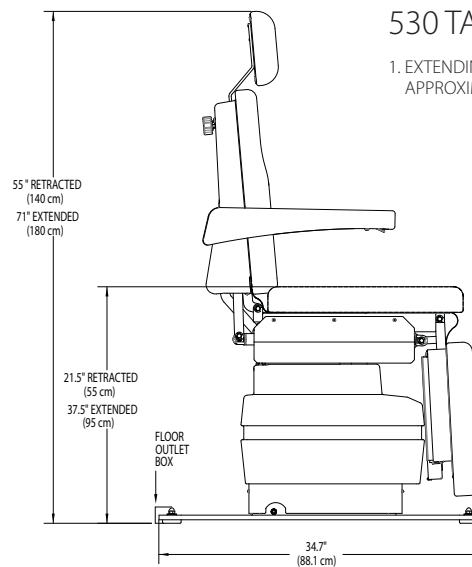
*Add 6.5" (16.5 cm) for 527W Dimensions

1. WITH FOOT SECTION EXTENDED THE CHAIR IS 86.5" (220 cm) LONG. WITH FOOT SECTION AND DEBRIS TRAY EXTENDED THE CHAIR IS 96.3" (245 cm) LONG.



527, 527W, 526 CHAIRS

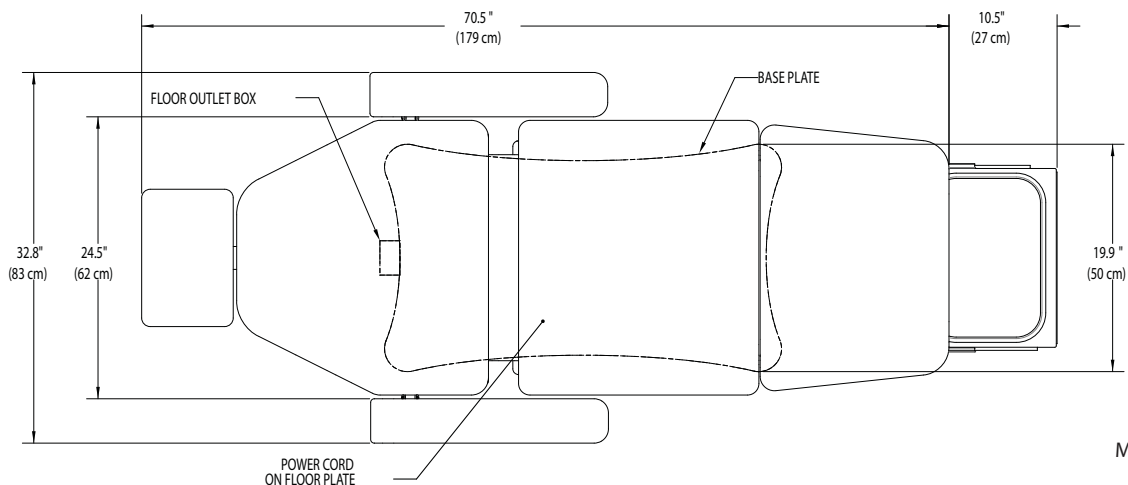
*Not applicable to 526 Chair
†With full tilt, footrest is 36" (91.4 cm) from the floor.



530 TABLE

1. EXTENDING HEADREST WILL ADD APPROXIMATELY 6" (15.3 cm).

530 TABLE



3655 West Ninigret Drive
Salt Lake City, Utah, 84104
800-924-4655 • 801-887-5114
Fax 801-952-0548
www.mti.net

© MTI, Inc. All rights reserved.
MTI reserves the right to make any product changes without notice.

1. EXTENDING HEADREST WILL ADD APPROXIMATELY 6" (15.3 cm). WITH DEBRIS TRAY EXTENDED, THE CHAIR IS 81" (206 cm) LONG. FOOTREST DOES NOT EXTEND.